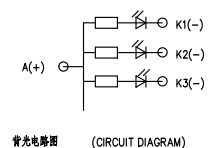
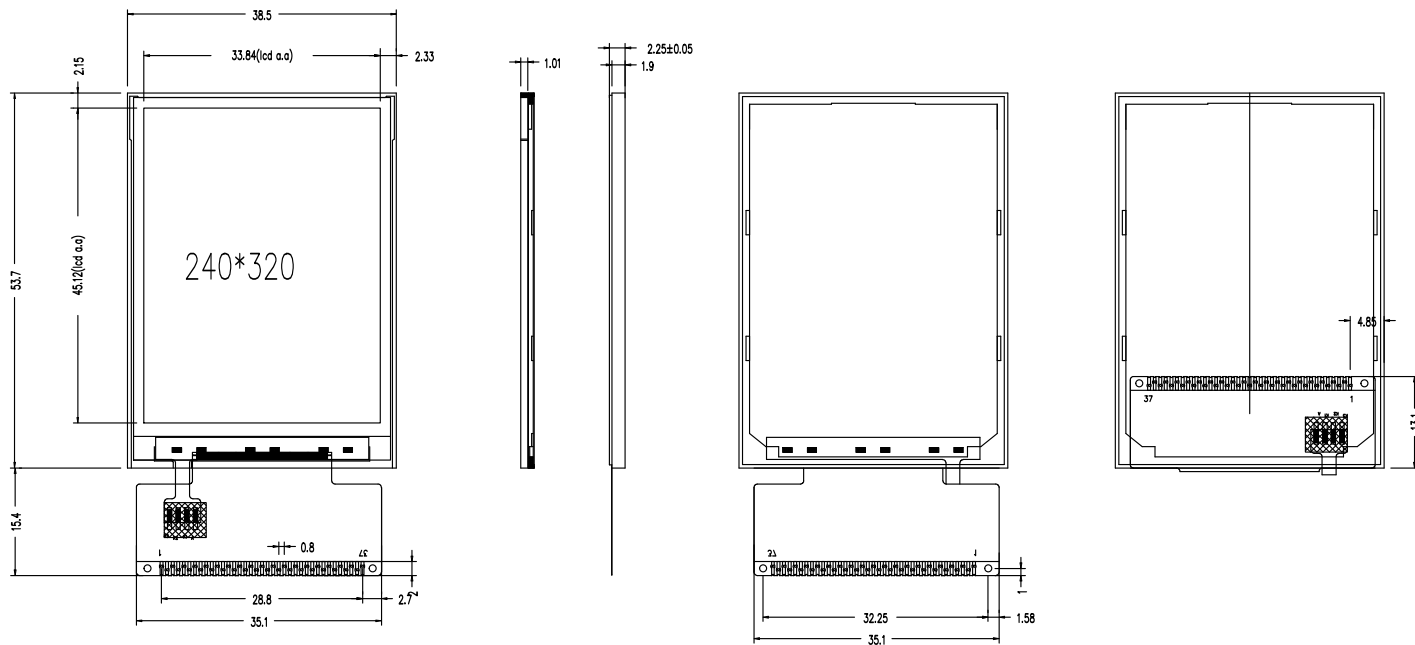


PIN NO.	SYMBOL
1	DB0
2	DB1
3	DB2
4	DB3
5	GND1
6	lovcc
7	/CS
8	RS
9	/WR
10	/RD
11	IM0
12	XR
13	YD
14	XL
15	YU
16	LED-A
17	LED-1
18	LED-2
19	LED-3
20	Nc
21	NC
22	DB4
23	DB8
24	DB9
25	DB10
26	DB11
27	DB12
28	DB13
29	DB14
30	DB15
31	/RESET
32	VCI
33	IOVCC
34	GND
35	DB5
36	DB6
37	DB7

REV	DATA	DESCRIPTION



NOTES:

- 1.MAIN\_LCD DISPLAY TYPE: 2.2TFT-LCD,262K COLOR
- 2.MAIN\_LCD DRIVER IC: COG 7789
- 3.OPERATING TEMP: -20 °C ~ 70°C
- 4.STORAGE TEMP: -30°C~80°C
- 5.GENERAL TOLERANCE: ±0.2
- 6.BACKLIGHT: 4-CHIP LEDs PARELLEL
- 7.产品符合ROHS标准

TRANSMISSIVE,NORMAL WHITE

UNIT MM	TOLERANCE:		深圳市艾斯迪科技有限公司		P/N:
3RD ANGLE	X.X = ± 0.2	X.XX = ± 0.1			
NOT IN SCALE	NAME	DATE	TITLE: LCDT22370QV9		
DRAFTED BY:	WANG JUN		FILE NAME :	模组分解图	Rev: 0
CHECKED BY:			APPROVED BY:		Ver: A
					SH NO:1/1